



Document Destruction

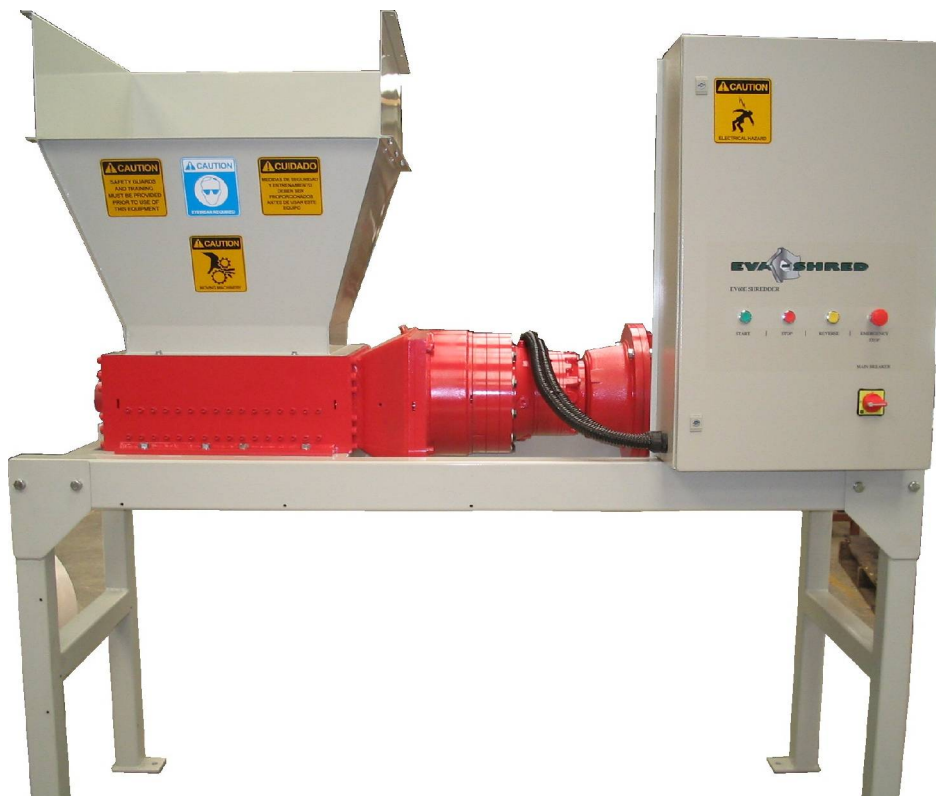
E-Waste Shredding

Tire Shredding

EV60E

PERFORMANCE CHARACTERISTICS:

- 40 Hp Electric Drive (1 motor)
- 28—30 Rpm Cutter Speed Rotation
- 15/32", 5/8" or 1 1/4" Cutter Width Options
- 24"/ 20" x 15" Cutting Chamber Opening
- 56 ft/ min Cutting Speed
- Suitable for Shredding Office Waste, E-Waste and Waste Tires*
- 76 DbA @ 1 meter (no load)
- Recommended In-feed: Bin Tipper or Conveyor Belt
- Recommended Out-feed: Storage Bin or Conveyor Belt
- Electronic Controls
- Stationary and Mobile Applications

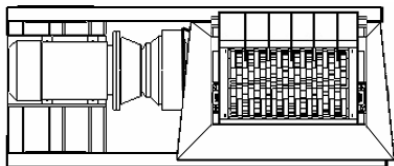
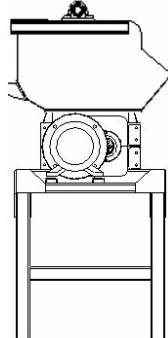
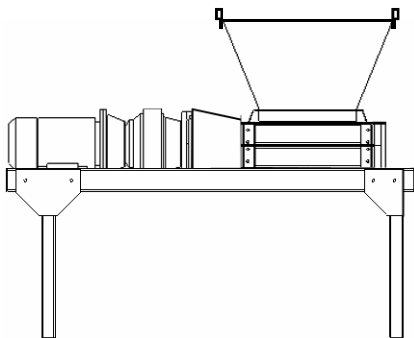


* Paper, Documents, Books, Bindings, Folders, Files, Computer Hard drives, Computer Storage Devices, Most Computer Components, Passenger Tires, Oil Filters.

Specifications are subject to change without notice. Contact your nearest distributor/ agent for up-to-date specifications prior to purchase.

EV60E

TECHNICAL SPECIFICATIONS:



PHYSICAL DIMENSIONS:

Total Height:	86"
Total Length:	88"
Total Width:	30"
Ground Clearance (underneath shredder):	32"
Ground to Hopper Entrance Lip Height:	71"
Hopper Opening:	40" x 31"
Shredder Chamber Opening:	24"/ 20" x 15"

SHREDDER NAME:	EV60E (Electric)
Number of Motors	1 x 40 Hp
Number of Gearboxes	2
Type of Gearboxes	1 x Planetary Reduction, 1 x Splitter
Cutter Width	15/32", 5/8" or 1 1/4"
No. of Hooks per cutter	3
Cutter Diameter	8"
Distance between Shafts	6 1/2"
Hex Shaft Diameter	3" AF
Critical Shaft Length	24" (Tires), 20" (Paper)
Cutter Chamber Opening	24"/ 20" x 15"
Cutting Chamber Height	10"
Hopper Height	39"
Stand Height	36"
Total Height	86"
Floor Footprint Dimensions	88" x 30"
Weight	3080 Lbs
Suitable for Shredding:	Paper, Documents, Books, Bindings, Folders, Files, Computer Hard drives, Computer Storage Devices, Most Computer Components, Passenger Tires, Oil Filters.

Specifications are subject to change without notice. Contact your nearest distributor/ agent for up-to-date specifications prior to purchase.